

SR-210 SR-182

SR-210/SR-182 crawler type
self-propelled aerial platform

Features

SR-182 and SR-210 ensure safe, efficient erection of external wall construction, and other operations without preparation of the ground at factories, warehouses, and other work sites, thereby rationalizing the construction work.



These platforms ensure safety of operation in high areas, and offer a wide area of operation on uneven ground.

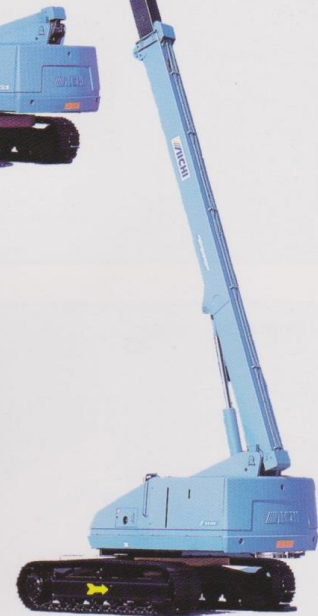
SR182

- * Max. height above ground : 18m (59ft)
- * Maximum load capacity : 250kgf (550lbs)



SR210

- * Max. height above ground : 20.8m (68ft 3in)
- * Maximum load capacity : 200kgf (440lbs)



(1) The compact body offers wide operational range. The full boom permits continuous operation over a wide area without moving the basic unit, and the crawler track base gives excellent gradeability on uneven ground, allowing efficient operations for any type of work.

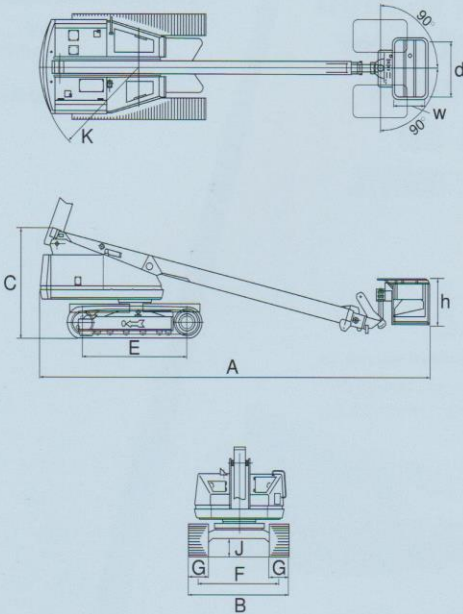
(2) Since the basket speed is kept constant, the boom raising, slewing, pivot turn, and spin turn operations can be conducted safely (SR-210).
Body tilt alarm unit: When the machine inclines more than three degrees on a slope, the alarm is activated to give warning to operators.

(3) The basket rotates 90 degrees to the left and right for easy access to the back of steel frames and to avoid obstacles.

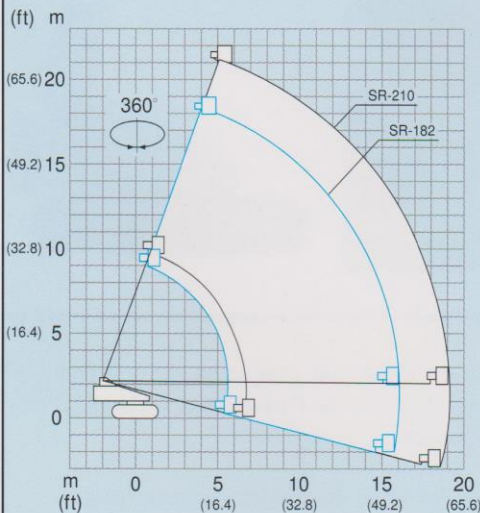
(4) Smooth operation by electro-magnetic proportional control
The speed of boom raising, telescopic motion, and travelling can be controlled by adjusting the lever. Easy lever operation permits safe operation even in the vicinity of obstacles.

SR-210/SR-182

SR-210/SR-182



Operating range



Notes:

1. The deflection of the boom is not taken into consideration in the chart.
2. The operating range is the same in any direction.
3. The chart shown above is based on supposition that the ground is horizontal and hard and that the wind velocity is less than 16 m/sec.

<Major specifications for SR-210 and SR-182>

●Model/name	
Model	SR-210 SR-182
Name	Crawler type self-propelled aerial platform
●Platform	
Max load capacity	200kgf (440lbs) 250kgf (550lbs)
Max platform height	20.8m (68ft 3in) 18.0m (59ft)
Max horizontal outreach	19.0m (62ft 4in) 16.5m (54ft 1in)
Platform inner size	(D×W×H):1.3×0.75×1.1m (51.2×29.5×43.3in)
Platform rotator	180 degrees hydraulic
●Boom	
Boom length	8.28~19.96m (27ft 2in ~ 65ft 6in) 7.19~16.86m (23ft 7in~55ft 4in)
●Slewing device	
Slewing angle	360 degrees continuous
Slewing speed	0.8rpm 0.86rpm
●Travelling	
Travelling speed	0-0.9km/hr(0.55MPH) 0-1.1km/hr(0.68MPH)
Gradeability stowed	22° (40%) 27° (51%)
●Vehicle dimensions	
A: Length	9,745mm (32ft) 8,610mm (28ft 3in)
B: Width	2,460mm (8ft 1in)
C: Height	2,550mm (8ft 4in)
Gross vehicle weight	15,300kgf (33,660lbs) 13,500kgf (29,700lbs)
J: Ground clearance	425mm (16.7in)
E: Tumbler center distance	2,575mm (8ft 5in)
F: Crawler center distance	1,960mm (6ft 5in)
K: Radius of revolving superstructure	2,440mm (8ft) 2,420mm (7ft 11in)
G: Crawler shoe width	500mm (19.7in)
Max. ground pressure	0.91kgf/cm² (13psi) 0.78kgf/cm² (11psi)
●Power source	
Name and type	ISUZU 4BD1T(turbo) ISUZU 4BD1
Max. output	81ps(51.8kw)/1,750rpm 69.5ps(60.4kw)/2,200rpm
Displacement	3,856cc
voltage	24V DC
Fuel tank capacity	230ℓ (60.7gal)
●Hydraulics	
Pressure	210 kgf/cm² (2980 psi)
Reservoir capacity	250ℓ (66 gal)

* These specifications and appearance/construction are subject to change for improvement without notice.

